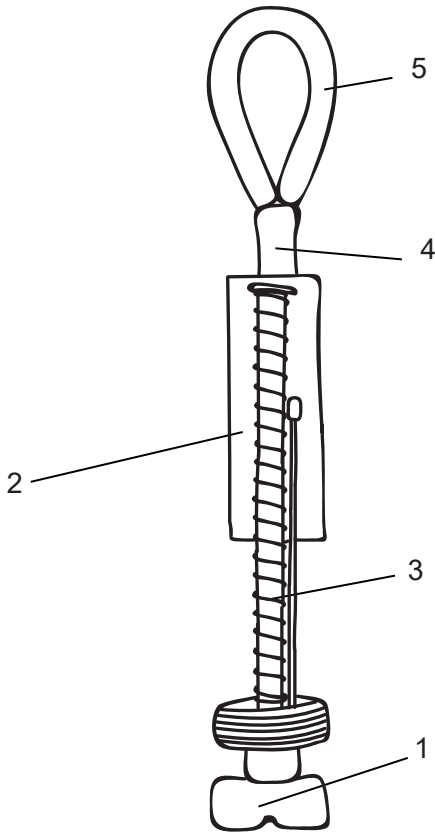


FS883 Toggle Anchor



FS883

Toggle Anchor



- 1 - FS33562-BC Aluminium 0,150Kg
- 2 - Fall Arrest Block 2M (FS920-bc)
- 3 - Webbing
- 4 - Anchor Point
- 5 - FS821 Alloy Hook 0,45Kg

The **FALL SAFE® Toggle Anchor (FS883)** is Versatile, portable concrete anchorage, used exclusively for fall protection, toggle lock can be placed in: horizontal surfaces; vertical surfaces; overhead/ceiling surfaces, for steel concrete

Max. Load	100 Kg
Weight	0.2Kg
Standard	CE EN795:1996(+A1:2000) CLASS B ANSI Z359,1-2007
EAN Code	5605423820348



EC DECLARATION OF CONFORMITY

THE MANUFACTURER REPRESENTATIVE :

FALLSAFE ONLINE, LDA
ZONA INDUSTRIAL DA VARZIELA
RUA B LOTE 54
4480-620 VILA DO CONDE-PORTUGAL



Declares that the new PPE equipment described hereafter:

REMOVABLE ANCHOR - TONGGLE LOCK (FS883)

Is in conformity with the provisions of Council Directive 89/686/EEC, 93/68/EEC, 96/58/EEC
and satisfied the requirements of the relevant harmonized standard EN795:2012 TYPE A

Is identical to the PPE which is the subject of EC certificate of conformity N° 4696 ISSUE 1
issued by:

SATRA TECHNOLOGY CENTRE
WYNDHAM WAY, TELFORD WAY, KETTERING
NN168SD NORTHAMPTONSHIRE
UNITED KINGDOM
NOTIFIED BODY 0321

Is subject to the procedure set out in Article 11 B of Directive 89/686/CEE under the supervision of the notified
body

SATRA TECHNOLOGY CENTRE
WYNDHAM WAY, TELFORD WAY, KETTERING
NN168SD NORTHAMPTONSHIRE
UNITED KINGDOM
NOTIFIED BODY 0321

Done in Vila do Conde, 08/05/2017

A handwritten signature in black ink, appearing to be 'AP'.

Ana Paulo
IDD

